

NEMA Full Voltage Power Devices

NEMA Rated Full Voltage Starters - Magnetic

CR309 Magnetic Reversing Starters

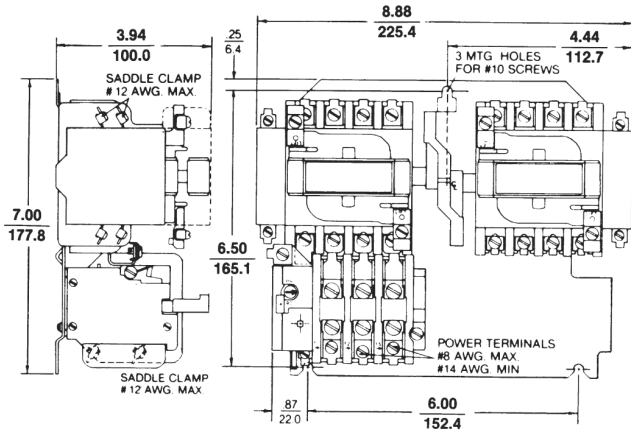
Non-combination

200 Horsepower Maximum

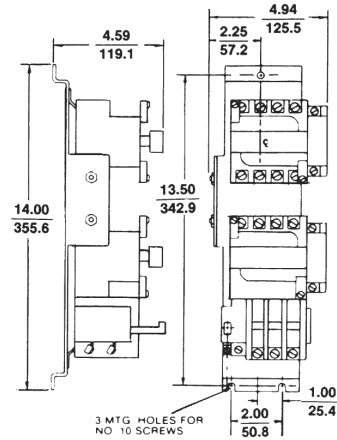
NEMA Sizes 00-5

600 Volts Maximum

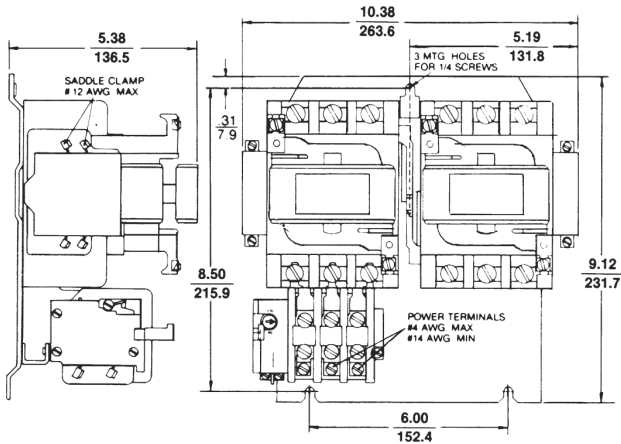
Outlines, Dimensions (in./mm), and Weights (For Estimating Only)



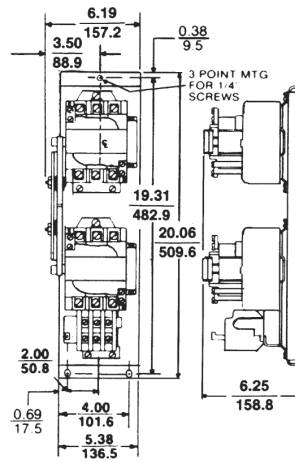
Open Type, NEMA Size 00, 0 and 1 Reversing (Horizontal); 7 3/4 lbs.



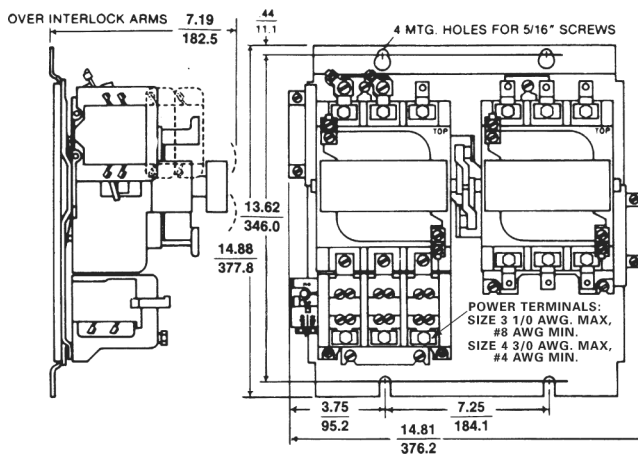
Open Type, NEMA Size 0 and 1 Reversing (Vertical); 7 1/4 lbs.



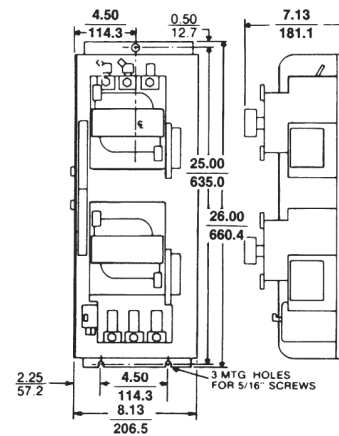
Open Type, NEMA Size 2 Reversing (Horizontal), 16 1/4 lbs.



Open Type, NEMA Size 2 Reversing (Vertical); 16 1/4 lbs.



Open Type, NEMA Size 3 and 4 Reversing (Horizontal); 49 lbs.



Open Type, NEMA Size 3 and 4 Reversing (Vertical); 49 lbs.



Product Number Selection Instructions: See page 1-17

NEMA Full Voltage Power Devices

NEMA Rated Full Voltage Starters - Magnetic

CR309 Magnetic Reversing Starters

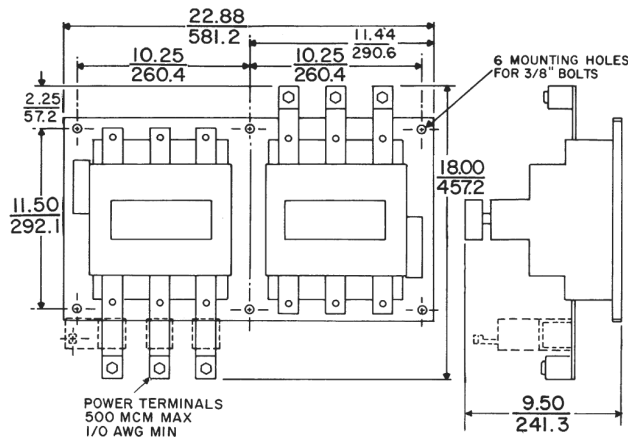
Non-combination

200 Horsepower Maximum

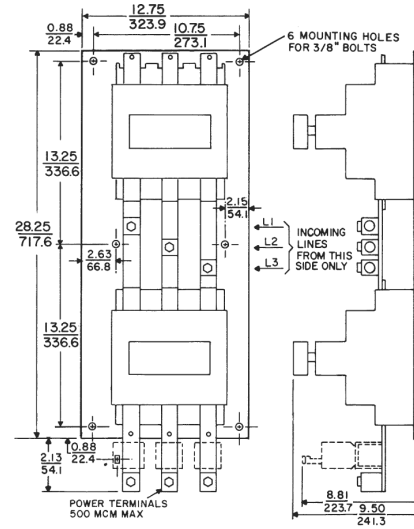
NEMA Sizes 00-5

600 Volts Maximum

Outlines, Dimensions ($\frac{\text{in.}}$), and Weights (For Estimating Only)



Open Type, NEMA Size 5 Reversing (Horizontal); 115 lbs.



Open Type, NEMA Size 5 Reversing (Vertical), 115 lbs.



Enclosure Descriptions: See Section 12

NEMA Full Voltage Power Devices

NEMA Rated Full Voltage Starters - Magnetic

CR309 Magnetic Reversing Starters

Non-combination

200 Horsepower Maximum

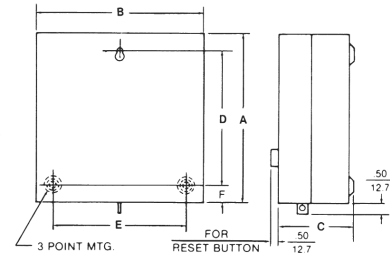
NEMA Sizes 00-5

600 Volts Maximum

Outlines, Dimensions in. (mm), and Weights (For Estimating Only)

CR309 NEMA Type 1 NEMA Sizes 00-2 Reversing

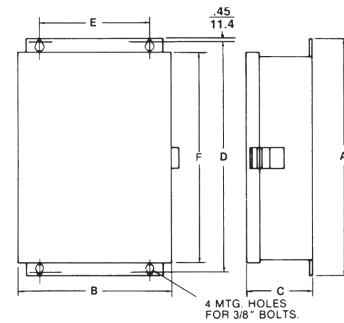
NEMA Size	Dimension A	Dimension B	Dimension C	Dimension D	Dimension E	Dimension F	Mounting Screw Size	Shipping Weight (lbs)
00, 0, 1	10.00 (254.0)	10.00 (254.0)	4.62 (117.4)	8.00 (203.2)	8.00 (203.2)	1.00 (25.4)	# 10	12 1/2
2	13.25 (336.6)	12.00 (304.8)	6.12 (155.4)	11.00 (279.4)	9.00 (228.6)	1.12 (28.6)	1/4"	27 1/2



NEMA Type 1, Sizes 00-2 Reversing

CR309 NEMA Type 1 NEMA Sizes 3-5 Reversing

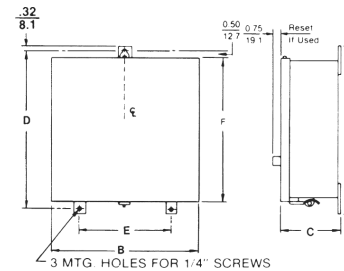
NEMA Size	Dimension A	Dimension B	Dimension C	Dimension D	Dimension E	Dimension F	Shipping Weight (lbs)
3	24.00 (609.6)	18.00 (457.2)	8.62 (219.1)	23.00 (584.2)	13.00 (330.2)	21.62 (549.1)	80
4	30.00 (762.00)	18.00 (457.2)	8.62 (219.1)	29.00 (736.6)	13.00 (330.2)	27.62 (701.6)	100
5	51.13 (1298.7)	32.00 (812.8)	11.50 (292.1)	51.12 (1298.4)	27.00 (685.8)	50.12 (1273.0)	286



NEMA Type 1, Sizes 3-5 Reversing

CR309 NEMA Type 12 NEMA Sizes 0-2 Reversing

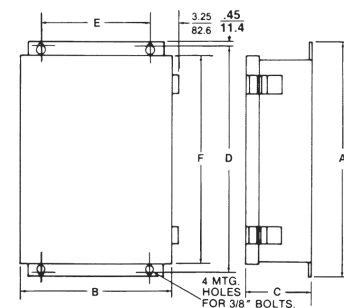
NEMA Size	Dimension A	Dimension B	Dimension C	Dimension D	Dimension E	Dimension F	Shipping Weight (lbs)
0, 1	11.87 (301.5)	10.25 (260.4)	4.75 (120.6)	11.00 (279.4)	7.00 (177.8)	10.25 (260.4)	13
2	14.64 (371.8)	12.25 (311.2)	6.25 (158.8)	14.00 (355.6)	9.00 (228.6)	13.25 (336.6)	29



NEMA Type 12, Sizes 0-2 Reversing

CR309 NEMA Type 12 NEMA Sizes 3-5 Reversing

NEMA Size	Dimension A	Dimension B	Dimension C	Dimension D	Dimension E	Dimension F	Shipping Weight (lbs)
3	24.00 (609.6)	18.00 (457.2)	7.88 (200.0)	23.00 (584.2)	13.00 (330.2)	21.38 (543.0)	85
4	30.00 (762.0)	18.00 (457.2)	7.88 (200.0)	29.00 (736.6)	13.00 (330.2)	26.38 (670.0)	100
5	51.50 (1308.1)	32.00 (812.8)	10.25 (260.4)	50.50 (1282.7)	27.00 (685.8)	48.75 (1238.3)	286



NEMA Type 12, Sizes 3-5 Reversing



Product Number Selection Instructions: See page 1-17

NEMA Full Voltage Power Devices

NEMA Rated Full Voltage Starters - Magnetic

CR309 Magnetic Reversing Starters

Non-combination

200 Horsepower Maximum

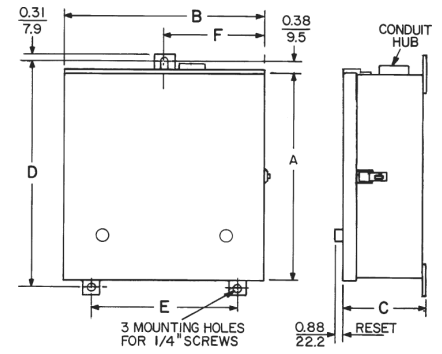
NEMA Sizes 00-5

600 Volts Maximum

Outlines, Dimensions in. (mm), and Weights (For Estimating Only)

CR309 NEMA Type 3R NEMA Sizes 0-2 Reversing

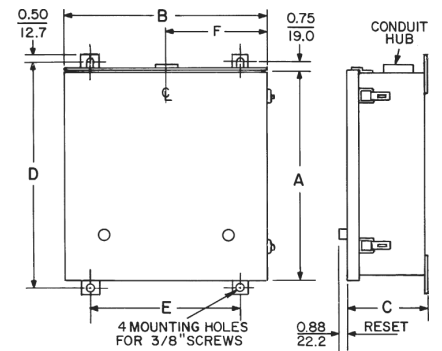
NEMA Size	Dimension A	Dimension B	Dimension C	Dimension D	Dimension E	Dimension F	Shipping Weight (lbs)
0, 1	14.50 (368.3)	10.38 (263.5)	4.75 (120.6)	15.00 (381.0)	11.00 (279.4)	5.19 (131.7)	30
2	16.50 (419.1)	12.50 (317.5)	6.50 (165.1)	17.00 (431.8)	12.00 (304.8)	6.25 (158.8)	50



NEMA Type 3R, Sizes 0-2 Reversing

CR309 NEMA Type 3R NEMA Sizes 3-5 Reversing

NEMA Size	Dimension A	Dimension B	Dimension C	Dimension D	Dimension E	Dimension F	Shipping Weight (lbs)
3	26.00 (660.4)	21.00 (533.4)	8.00 (203.2)	27.50 (698.5)	15.00 (381.0)	10.50 (266.7)	90
4	30.00 (762.0)	21.00 (533.4)	8.00 (203.2)	31.50 (800.1)	15.00 (381.0)	10.50 (266.7)	105
5	48.00 (1219.2)	32.00 (812.8)	10.25 (260.4)	49.50 (1257.3)	26.00 (660.4)	16.00 (406.4)	286



NEMA Type 3R, Sizes 3-5 Reversing

CR309 NEMA Type 4/4X NEMA Sizes 0-5 Reversing

NEMA Size	Height	Width	Depth	Shipping Weight (lbs)
0, 1	15.63 (397.0)	10.38 (263.7)	5.50 (139.7)	30
2	17.63 (447.8)	12.50 (317.5)	7.50 (190.5)	50
3	29.00 (736.6)	21.00 (533.4)	8.88 (225.6)	90
4	33.00 (838.2)	21.00 (533.4)	8.88 (225.6)	105
5	47.55 (1207.8)	36.00 (914.4)	11.12 (282.4)	260

